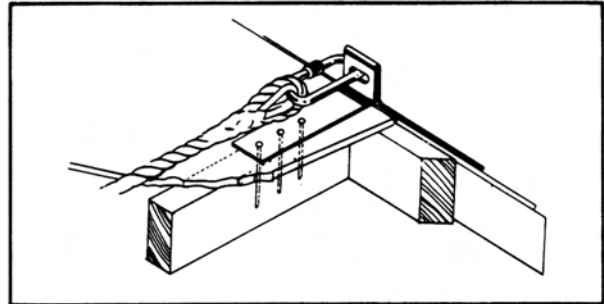


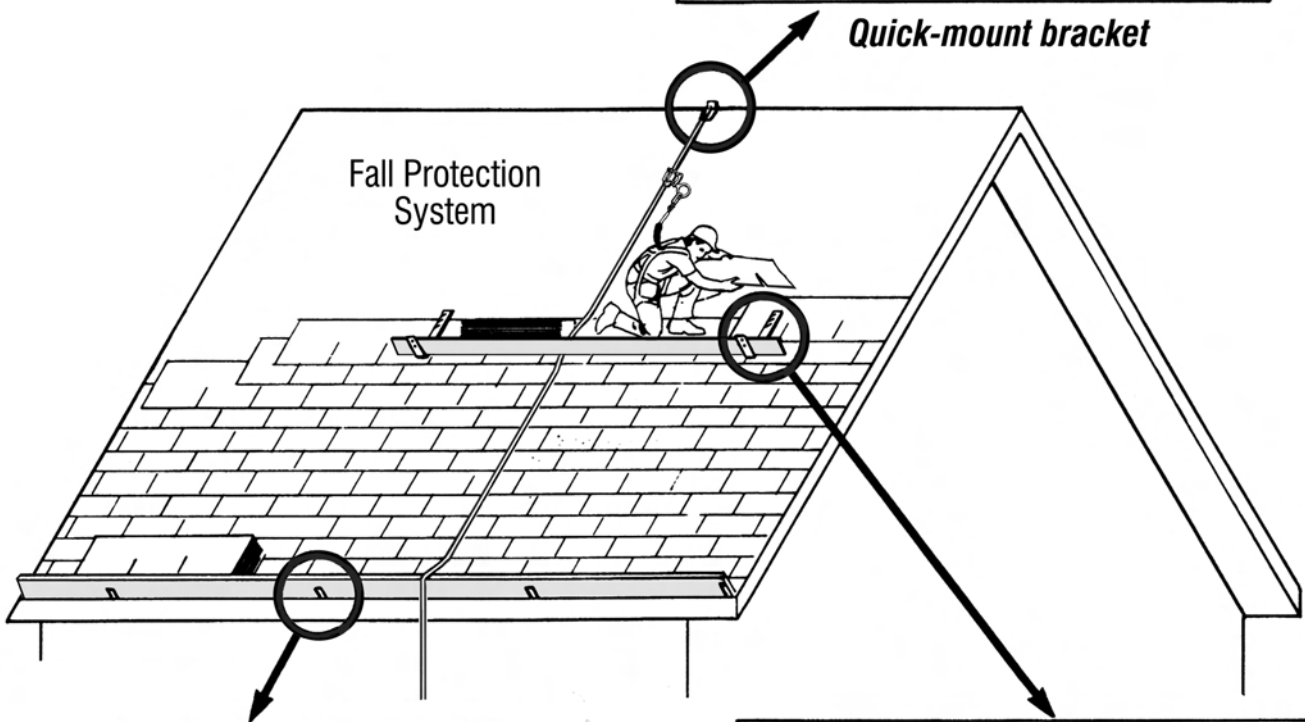
Safety Tips

SLOPED ROOFS

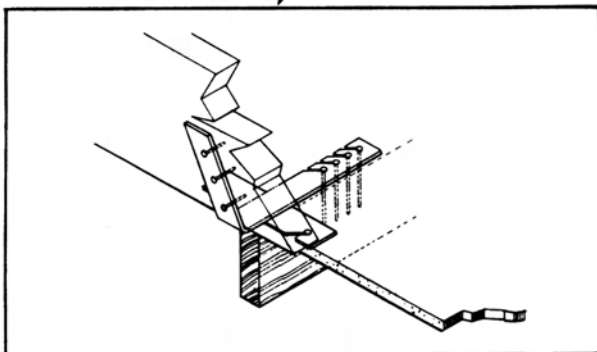
Fall Protection



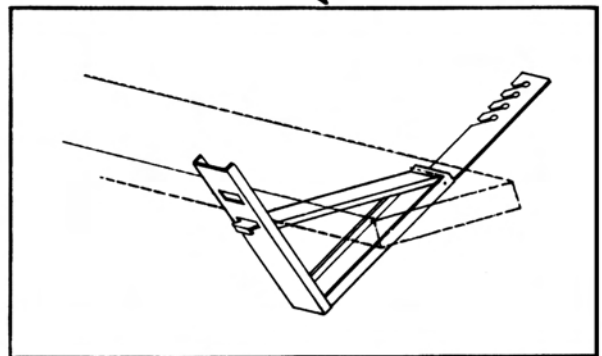
Quick-mount bracket



Fall Protection System



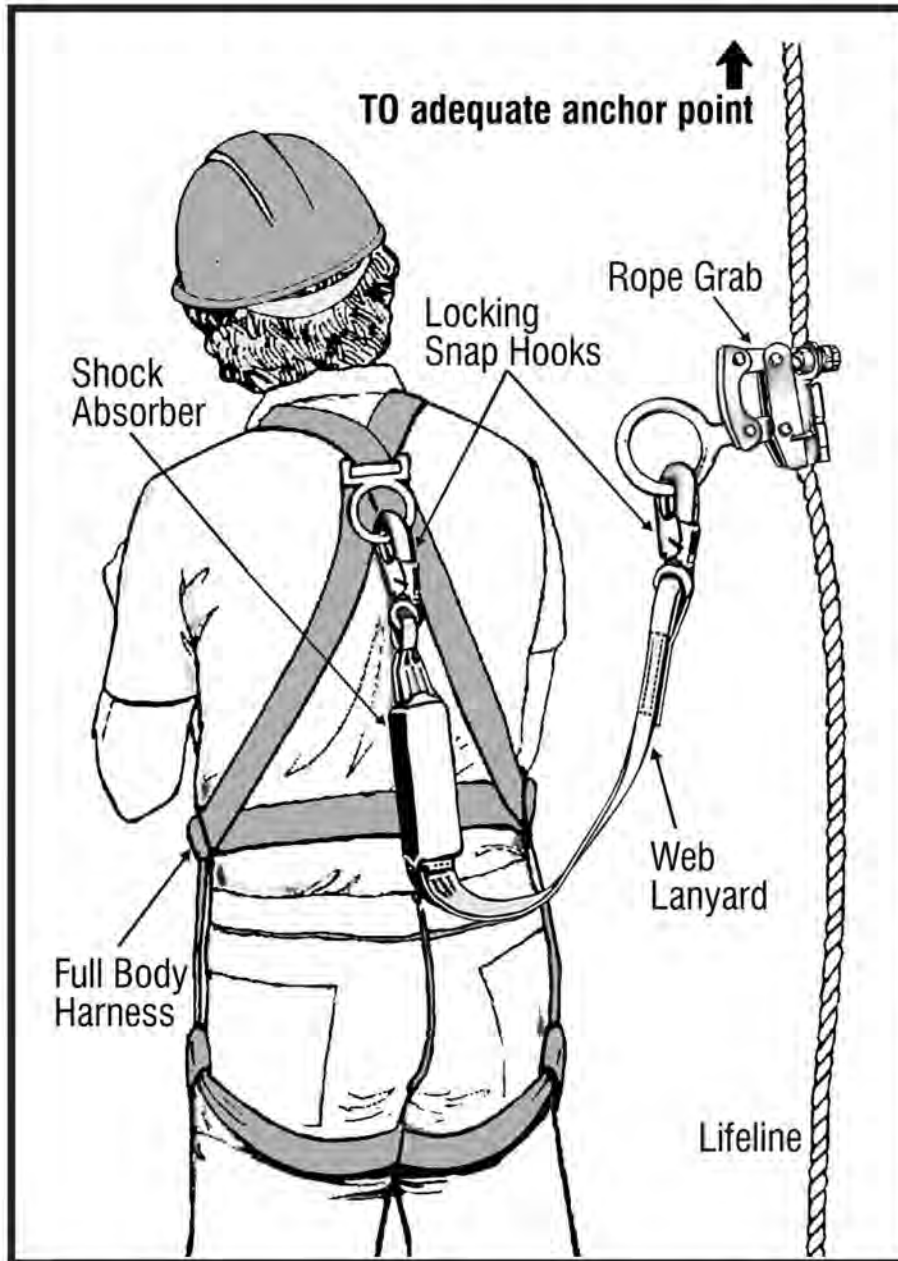
Edge protection bracket



Shingler's platform



FALL PROTECTION SYSTEM



- Always use a fall protection system when working on a sloped roof.
- Anchor the lifeline to a quick-mount bracket.
- Set up protection to keep material and debris from falling.
- Secure ladder at top and bottom to prevent sliding and tipping.

Full Body Harness and Fall Arrest System



Construction Safety Association of Ontario

21 Voyager Court South, Etobicoke, Ontario M9W 5M7

(416) 674-2726 1-800-781-2726 FAX: (416) 674-8866

www.csa.org

info@csao.org